



Plant temperature

TS-6300

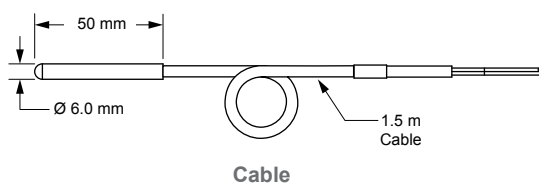
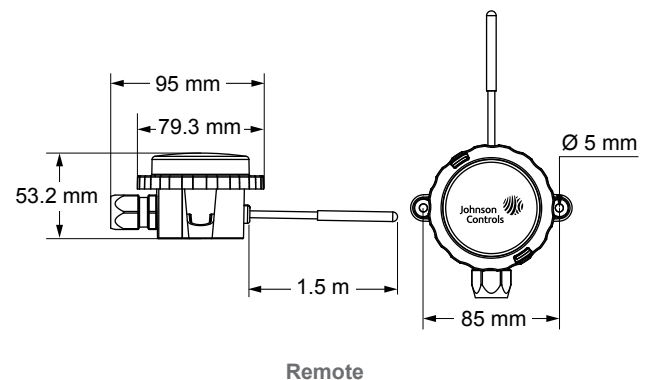
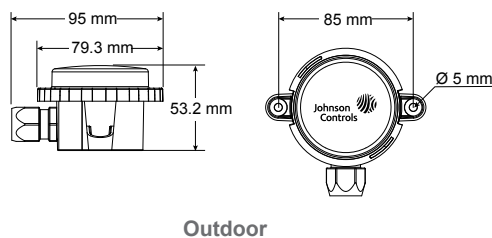
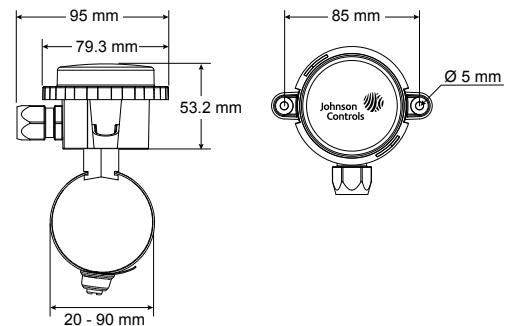
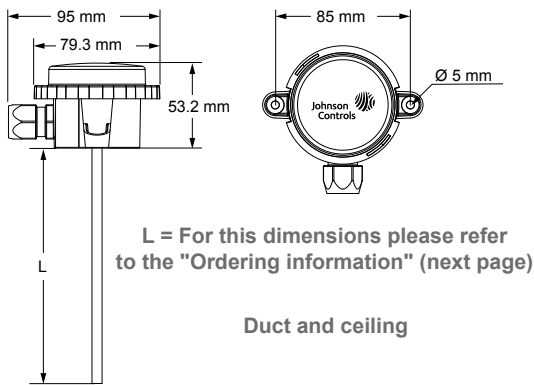
The TS-6300 series temperature sensors provide a passive signal that corresponds to the air or water temperature Heating, Ventilation and Air Conditioning (HVAC) applications.

They are passive resistive signal NTC K2, NTC K10, Pt100 or Pt1000 related to the sensed temperature. The TS-6300 temperature sensor series has been designed to work as a part of any HVAC control system.

Features

- ▶ Wide range of mounting types and signal outputs
- ▶ Different length of tubes and wells for duct and immersion applications
- ▶ Bayonet mounting system
- ▶ For immersion applications, well can be mounted before duct sensor is mounted
- ▶ IP54 ingress protection (except cable sensor)
- ▶ IP67 ingress protection for cable sensor

Dimensions in mm



Plant temperature

TS-6300
Ordering information

Codes	Output	Mounting type	Length (mm)	Temperature range			
TS-6370D-A11	0...10 VDC	Duct / immersion	138	-40...+50 °C			
TS-6370D-B11			192				
TS-6370D-C11			290				
TS-6370D-D11			446				
TS-6370D-A12			138	-20...+40 °C			
TS-6370D-B12			192				
TS-6370D-C12			290				
TS-6370D-D12			446				
TS-6370D-A13			138	0...+40 °C			
TS-6370D-B13			192				
TS-6370D-C13			290				
TS-6370D-D13			446				
TS-6370D-A14			138	0...+100 °C			
TS-6370D-B14			192				
TS-6370D-C14	290						
TS-6370D-D14	446						
TS-6330D-A10	2K2 NTC	Duct / immersion	138	-40...+120 °C			
TS-6330D-B10			192				
TS-6330D-C10			290				
TS-6330D-D10			446				
TS-6340D-A10	10K NTC		138		-40...+120 °C		
TS-6340D-B10			192				
TS-6340D-C10			290				
TS-6340D-D10			446				
TS-6350D-A10	Pt100		138			-40...+120 °C	
TS-6350D-B10			192				
TS-6350D-C10			290				
TS-6350D-D10			446				
TS-6360D-A10	Pt1000		138				-40...+120 °C
TS-6360D-B10			192				
TS-6360D-C10		290					
TS-6360D-D10		446					
TS-6370R-F01	0...10 VDC	Remote sensor	1.5 m cable length	-40...+50 °C			
TS-6370R-F03				0...+40 °C			
TS-6370R-F04				0...+100 °C			
TS-6330K-F00	2K2 NTC	Cable sensor	1.5 m cable length	-40...+100 °C			
TS-6340K-F00	10K NTC						
TS-6360K-F00	Pt1000						
TS-6370E-001	0...10 VDC	Outdoor	---	-40...+50 °C			
TS-6370E-002		Outdoor		-20...+40 °C			
TS-6330E-000	2K2 NTC	Outdoor	---	-40...+70 °C			
TS-6340E-000	10K NTC						
TS-6350E-000	Pt100						
TS-6360E-000	Pt1000						
TS-6370S-002	0...10 VDC	Strap-on	---	-20...+40 °C			
TS-6370S-004		Strap-on		0...+100 °C			
TS-6330S-000	2K2 NTC	Strap-on	---	-40...+100 °C			
TS-6340S-000	10K NTC						
TS-6350S-000	Pt100						
TS-6360S-000	Pt1000						
TS-6370C-E13	0...10 VDC	Ceiling	36	0...+40 °C			
TS-6330C-E10	2K2 NTC	Ceiling		36	-40...+70 °C		
TS-6340C-E10	10K NTC						
TS-6350C-E10	Pt100						
TS-6360C-E10	Pt1000						

Plant temperature

TS-6300
Ordering information
Outdoor sensor grey

Codes	Output	Mounting type	Operating range
TS-6330E-050	2K2 NTC	Outdoor grey enclosure	-40...+70 °C
TS-6340E-050	10K NTC		
TS-6350E-050	Pt100		
TS-6360E-050	Pt1000		-40...+50 °C
TS-6370E-051	0...10 VDC		
TS-6370E-052			

Accessories

Codes	Length (mm)	Material	Mounting thread	PN
TS-6300W-E200	50 *	Brass/Copper	R 1/2"	PN16
TS-6300W-D200	80			
TS-6300W-F200	120			
TS-6300W-G200	150			
TS-6300W-H200	200			
TS-6300W-I200	260			
TS-6300W-E300	50 *	Stainless steel	R 1/2"	PN25
TS-6300W-D300	80			
TS-6300W-F300	120			
TS-6300W-G300	150			
TS-6300W-H300	200			
TS-6300W-I300	260			
TS-6300W-E400	50 *		G 1/2"	
TS-6300W-D400	80			
TS-6300W-F400	120			
TS-6300W-G400	150			
TS-6300W-H400	200			
TS-6300W-I400	260			

TS-6300D-000	Duct flange kit
TS-6300W-900	Retrofitting thermowell adapter kit

Note

* for cable sensor only